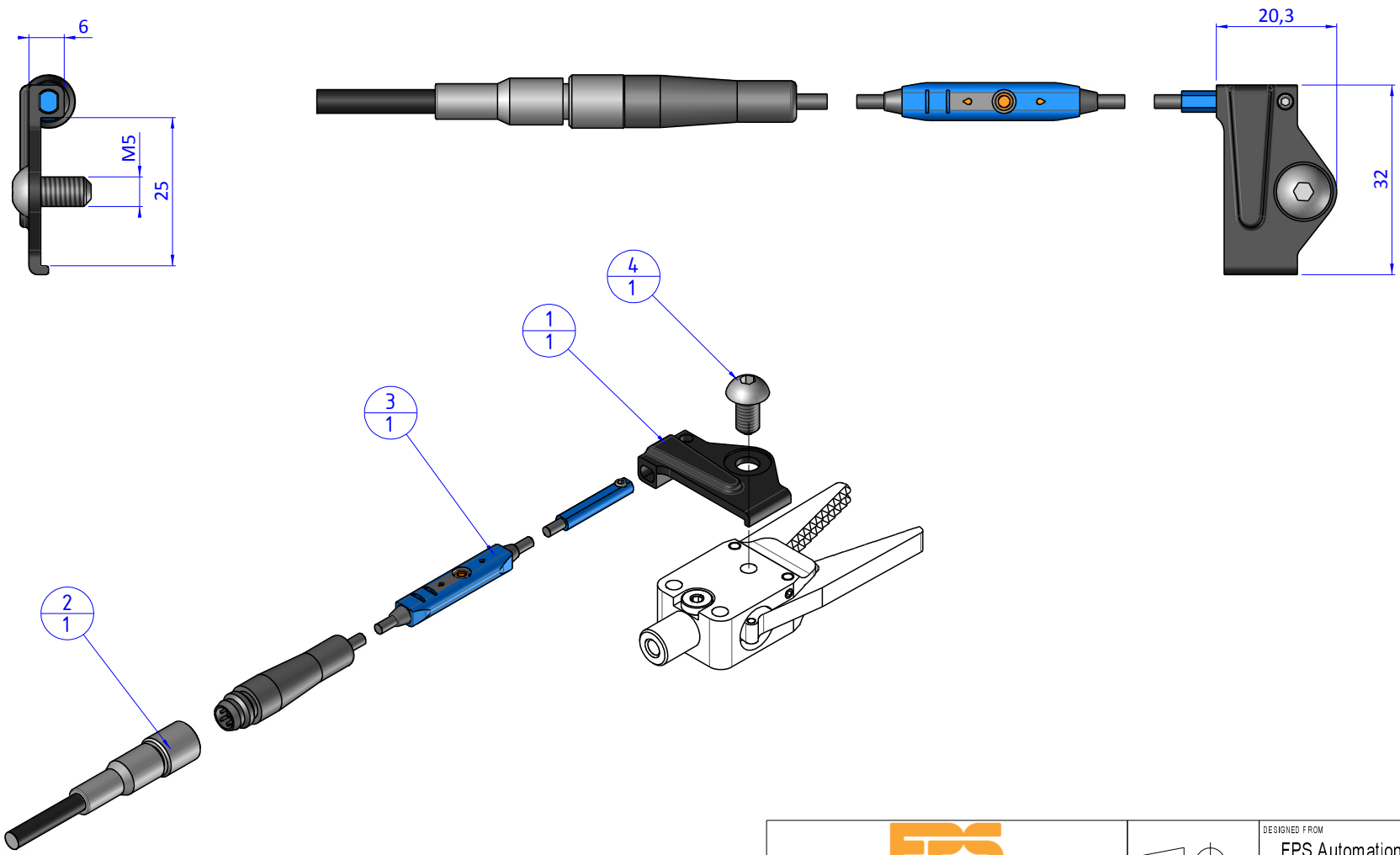



Item	Name	Q.ty
1	GZA.10.12.20	1
2	OM.XS3F.M84S5M	1
3	SIC.MZ2QCSSPSKP0	1
4	V.TBCE5X10.BUTT	1



THE PROPERTY OF THE DRAWING IS ESTABLISHED BY LAW. IT IS FORBIDDEN TO PRODUCE OR SHOW IT TO THIRD PARTY, WITHOUT A WRITTEN AGREEMENT.

Format A3
UNI 936-76

 FPS FPSERVICES AUTOMATION		DESIGNED FROM		REVIEW
		FPS Automation		A
GENERAL TOLERANCE		DATE	WEIGHT	
UNI - ISO 2768		27/09/2019	0,008kg	
CLASSE f		CODE		
		CA.SCP.1012		CA.SCP.1012